

AJANTA™

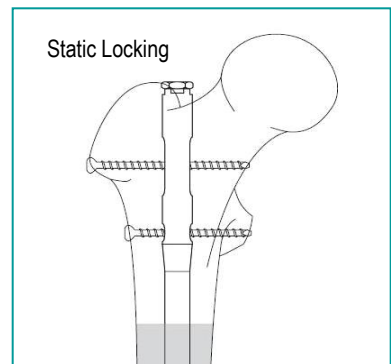
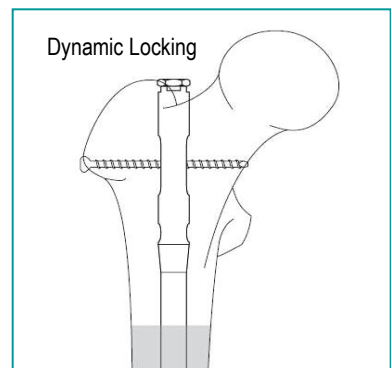
Universal Femur Nails

The AJANTA™ Universal Femur Nails are best suited to fractures in the diaphyseal region, but where necessary, can be used for fractures situated in the region extending from just below the intact lesser trochanter to just above the supracondylar region. The procedure is applicable to any fracture within these boundaries, whatever the degree of comminution. The AJANTA™ Universal Femur Nails allow two standard locking configurations (static transverse and dynamic transverse locking) for fixation of the femoral shaft fracture.



Features & Benefits

- The AJANTA™ interlocking nail system is the result of long term experience in medullary nailing.
- 13 mm in proximal diameter; 9-12 mm distal diameter.
- 320 mm to 440 mm lengths (20mm increments).
- One guide bar design for left and right femur.
- Allow static transverse and dynamic transverse locking configurations.
- All of the implants are available in Titanium Alloy and Stainless Steel.
- The nails and locking screws are color coded for easy identification.



Indications for Use

The AJANTA™ Universal Femur Nails are indicated for fractures in the diaphyseal region, it can also be used for fractures situated in the region extending from just below the intact lesser trochanter to just above the supracondylar region. The indications for intramedullary locked nailing include: traumatic fractures, pathological fractures, re-fractures, non-unions and reconstructive surgery.



Implant Information

AJANTA™ Universal Femur Nail



REF (S. S)	REF (TIT)	DIA mm	LENGTH mm	TYPE
MOI 11343320	MOI 31343320	9.0	320	Cannulated
MOI 11343340	MOI 31343340	9.0	340	Cannulated
MOI 11343360	MOI 31343360	9.0	360	Cannulated
MOI 11343380	MOI 31343380	9.0	380	Cannulated
MOI 11343400	MOI 31343400	9.0	400	Cannulated
MOI 11343420	MOI 31343420	9.0	420	Cannulated
MOI 11343440	MOI 31343440	9.0	440	Cannulated
MOI 11344320	MOI 31344320	10.0	320	Cannulated
MOI 11344340	MOI 31344340	10.0	340	Cannulated
MOI 11344360	MOI 31344360	10.0	360	Cannulated
MOI 11344380	MOI 31344380	10.0	380	Cannulated
MOI 11344400	MOI 31344400	10.0	400	Cannulated
MOI 11344420	MOI 31344420	10.0	420	Cannulated
MOI 11344440	MOI 31344440	10.0	440	Cannulated
MOI 11345320	MOI 31345320	11.0	320	Cannulated
MOI 11345340	MOI 31345340	11.0	340	Cannulated
MOI 11345360	MOI 31345360	11.0	360	Cannulated
MOI 11345380	MOI 31345380	11.0	380	Cannulated
MOI 11345400	MOI 31345400	11.0	400	Cannulated
MOI 11345420	MOI 31345420	11.0	420	Cannulated
MOI 11345440	MOI 31345440	11.0	440	Cannulated
MOI 11364320	MOI 31364320	12.0	320	Cannulated
MOI 11364340	MOI 31364340	12.0	340	Cannulated
MOI 11364360	MOI 31364360	12.0	360	Cannulated
MOI 11364380	MOI 31364380	12.0	380	Cannulated
MOI 11364400	MOI 31364400	12.0	400	Cannulated
MOI 11364420	MOI 31364420	12.0	420	Cannulated
MOI 11364440	MOI 31364440	12.0	440	Cannulated

Locking Screw Ø5.0mm



REF (S. S)	REF (TIT)	DIA mm	LENGTH mm
MOI 11518030	MOI 31518030	5.0	30
MOI 11518032	MOI 31518032	5.0	32
MOI 11518034	MOI 31518034	5.0	34
MOI 11518036	MOI 31518036	5.0	36
MOI 11518038	MOI 31518038	5.0	38
MOI 11518040	MOI 31518040	5.0	40
MOI 11518042	MOI 31518042	5.0	42
MOI 11518044	MOI 31518044	5.0	44
MOI 11518046	MOI 31518046	5.0	46
MOI 11518048	MOI 31518048	5.0	48
MOI 11518050	MOI 31518050	5.0	50
MOI 11518052	MOI 31518052	5.0	52
MOI 11518054	MOI 31518054	5.0	54
MOI 11518056	MOI 31518056	5.0	56
MOI 11518058	MOI 31518058	5.0	58
MOI 11518060	MOI 31518060	5.0	60
MOI 11518062	MOI 31518062	5.0	62
MOI 11518064	MOI 31518064	5.0	64
MOI 11518066	MOI 31518066	5.0	66
MOI 11518068	MOI 31518068	5.0	68
MOI 11518070	MOI 31518070	5.0	70
MOI 11518072	MOI 31518072	5.0	72
MOI 11518074	MOI 31518074	5.0	74
MOI 11518076	MOI 31518076	5.0	76
MOI 11518078	MOI 31518078	5.0	78
MOI 11518080	MOI 31518080	5.0	80

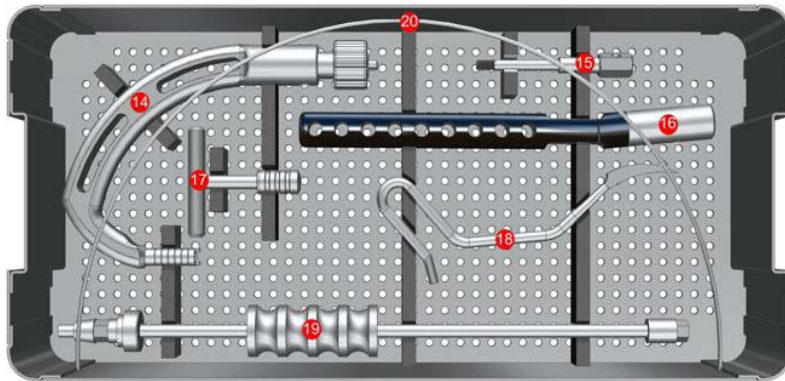
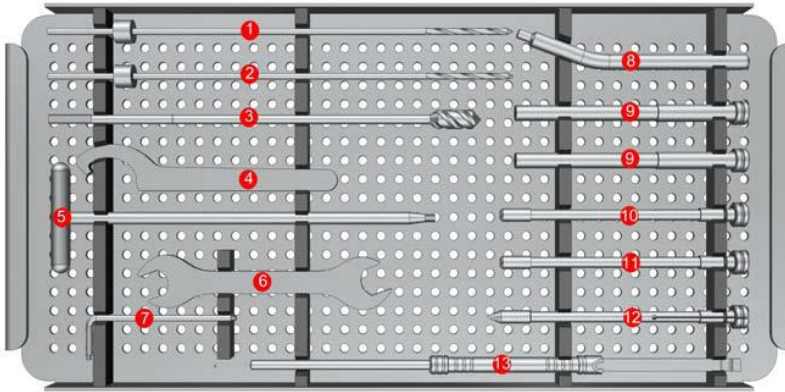
End Cap



REF (S. S)	REF (TIT)	SIZE mm
MOI 11710000	MOI 31710000	2
MOI 11710005	MOI 31710005	5
MOI 11710010	MOI 31710010	10
MOI 11710015	MOI 31710015	15

INSTRUMENTS INFORMATION

AJANTA Femur Nailing System



REF	DESCRIPTION	UNITS
1	MOI 0100003B Drill Bit 4.0mm, with Drill Stop	1
2	MOI 0201000B Drill Bit 3.0mm, with Drill Stop	1
3	MOI 0100006B Rigid Reamer	1
4	MOI 0201001B Hook Wrench	1
5	MOI 0100005B T-Handled Screwdriver SW3.5	1
6	MOI 0201002B Hex Wrench, Open	1
7	MOI 0100025B Allen Wrench	1
8	MOI 0201003B Wrench Handle	1
9	MOI 0201004B Protection Sleeve 8.5mm	2
10	MOI 0201005B Drill Sleeve 4.0mm	1
11	MOI 0201006B Drill Sleeve 3.0mm	1
12	MOI 0201007B Position Rod	1
13	MOI 0201008C Depth Gauge	1
14	MOI 0201008B Insertion Handle	1
15	MOI 0201009B Connecting Bolt	1
16	MOI 0201010B Guide Bar	1
17	MOI 0100029B Quick Coupling T-Handle	1
18	MOI 0100028B Point Awl	1
19	MOI 0201011B Sliding Hammer, for Nail Insertion/Extraction	1
20	MOI 0201012B Guide Wire 2.5 X 800mm	1
21	MOI 0201200B Femur Nail Container	



USA OFFICE

4000 Island Blvd, Suite 2704
Aventura, Florida 33160

PUERTO RICO OFFICE

1660 Santa Ana Street
Esq. Fidalgo Diaz,
San Juan, Puerto Rico 00909

E-mail:

info@madisonorthoinc.com

Website:

www.madisonorthoinc.com

