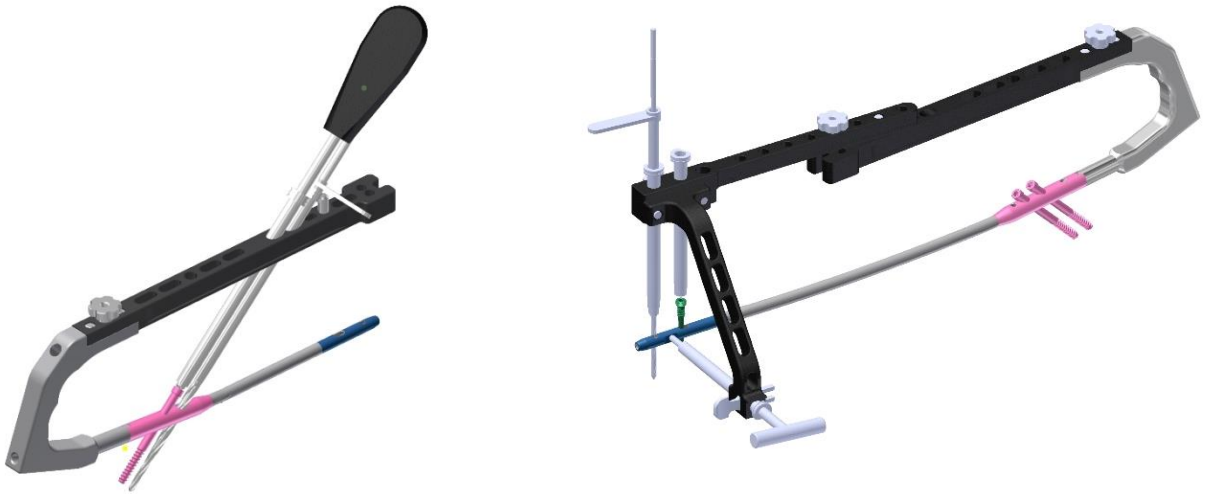


ALPS™

3 in 1 Universal Nailing System

ALPS™ 3 in 1 Universal Nailing System permits an intramedullary approach for the fixation of fractures of the proximal and shaft femur. The system consists of a series of cannulated short nails, cannulated long nails, cannulated end caps, and locking bolts and screws. The system provides two proximal locking options: Standard locking and Reconstruction locking. The aiming device provides an accurate and fast proximal and distal locking.



Features & Benefits

- Anatomical Nail Design.
- Multiple locking options for proximal locking.
- Accurate and fast mechanical aiming device for distal locking.
- A locking screw of a smooth shank configuration is much stronger for a given diameter than a fully threaded screw.
- All of the implants are available in Titanium Alloy and Stainless Steel.
- The nails and locking screws are color coded for easy identification.



Standard locking



Reconstruction locking

Indications for Use

ALPS™ 3 in 1 Universal Nailing System with standard proximal locking is indicated for fractures in the femoral shaft. Nail with reconstruction proximal locking is indicated for fractures in the femoral shaft in case of combination with femoral neck fractures, and for fractures in the subtrochanteric section additionally.



Locking Bolt Ø6.4mm, for ALPST™ Femur Nail

REF (S. S)	REF (TIT)	DIA mm	LENGTH mm
MOI 11506060	MOI 31506060	6.4	60
MOI 11506065	MOI 31506065	6.4	65
MOI 11506070	MOI 31506070	6.4	70
MOI 11506075	MOI 31506075	6.4	75
MOI 11506080	MOI 31506080	6.4	80
MOI 11506085	MOI 31506085	6.4	85
MOI 11506090	MOI 31506090	6.4	90
MOI 11506095	MOI 31506095	6.4	95
MOI 11506100	MOI 31506100	6.4	100
MOI 11506105	MOI 31506105	6.4	105
MOI 11506110	MOI 31506110	6.4	110
MOI 11506115	MOI 31506115	6.4	115
MOI 11506110	MOI 31506120	6.4	120



End Cap, for ALPST™ Femur Nail

REF (S. S)	REF (TIT)	SIZE mm
MOI 11705100	MOI 31705100	0
MOI 11705000	MOI 31705000	2
MOI 11705005	MOI 31705005	5
MOI 11705010	MOI 31705010	10
MOI 11705015	MOI 31705015	15

ALPST™ 3 in 1 Femur Nail, SHORT



REF (S. S)	REF (TIT)	DIA mm	LENGTH mm	TYPE
MOI 11319180	MOI 31319180	9.0	180	Cannulated
MOI 11319200	MOI 31319200	9.0	200	Cannulated
MOI 11319220	MOI 31319220	9.0	220	Cannulated
MOI 11319240	MOI 31319240	9.0	240	Cannulated
MOI 11320180	MOI 31320180	10.0	180	Cannulated
MOI 11320200	MOI 31320200	10.0	200	Cannulated
MOI 11320220	MOI 31320220	10.0	220	Cannulated
MOI 11320240	MOI 31320240	10.0	240	Cannulated
MOI 11321180	MOI 31321180	11.0	180	Cannulated
MOI 11321200	MOI 31321200	11.0	200	Cannulated
MOI 11321220	MOI 31321220	11.0	220	Cannulated
MOI 11321240	MOI 31321240	11.0	240	Cannulated
MOI 11322180	MOI 31322180	12.0	180	Cannulated
MOI 11322200	MOI 31322200	12.0	200	Cannulated
MOI 11322220	MOI 31322220	12.0	220	Cannulated
MOI 11322240	MOI 31322240	12.0	240	Cannulated
MOI 11373180	MOI 31373180	13.0	180	Cannulated
MOI 11373200	MOI 31373200	13.0	200	Cannulated
MOI 11373220	MOI 31373220	13.0	220	Cannulated
MOI 11373240	MOI 31373240	13.0	240	Cannulated
MOI 11374180	MOI 31374180	14.0	180	Cannulated
MOI 11374200	MOI 31374200	14.0	200	Cannulated
MOI 11374220	MOI 31374220	14.0	220	Cannulated
MOI 11374240	MOI 31374240	14.0	240	Cannulated



Locking Screw Ø4.0mm, for nail dia 9.0/10.0/11.0/12.0

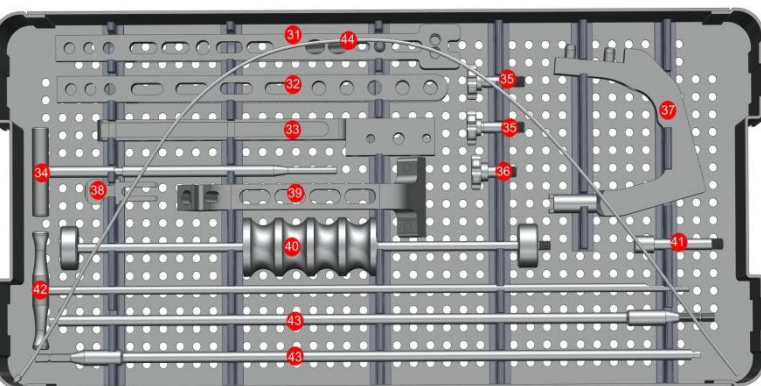
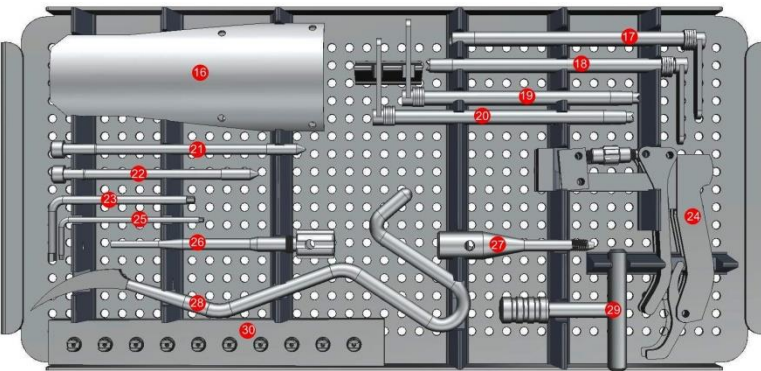
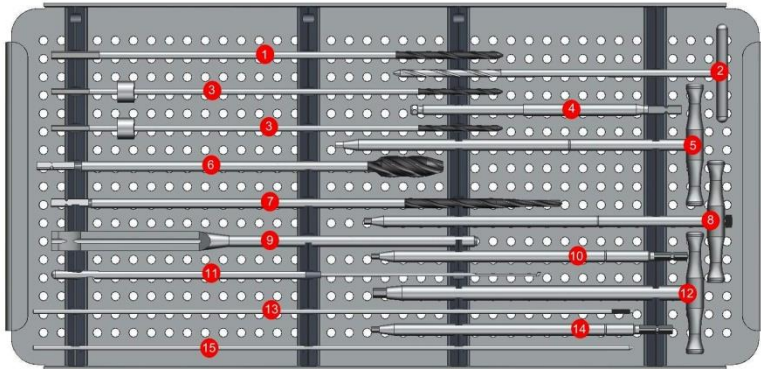
REF (S. S)	REF (TIT)	DIA mm	LENGTH mm
MOI 11501026	MOI 31501026	4.0	26
MOI 11501028	MOI 31501028	4.0	28
MOI 11501030	MOI 31501030	4.0	30
MOI 11501032	MOI 31501032	4.0	32
MOI 11501034	MOI 31501034	4.0	34
MOI 11501035	MOI 31501035	4.0	35
MOI 11501036	MOI 31501036	4.0	36
MOI 11501038	MOI 31501038	4.0	38
MOI 11501040	MOI 31501040	4.0	40
MOI 11501042	MOI 31501042	4.0	42
MOI 11501044	MOI 31501044	4.0	44
MOI 11501045	MOI 31501045	4.0	45
MOI 11501046	MOI 31501046	4.0	46
MOI 11501048	MOI 31501048	4.0	48
MOI 11501050	MOI 31501050	4.0	50
MOI 11501055	MOI 31501055	4.0	55
MOI 11501060	MOI 31501060	4.0	60
MOI 11501065	MOI 31501065	4.0	65
MOI 11501070	MOI 31501070	4.0	70
MOI 11501075	MOI 31501075	4.0	75
MOI 11501080	MOI 31501080	4.0	80
MOI 11501085	MOI 31501085	4.0	85
MOI 11501090	MOI 31501090	4.0	90
MOI 11501095	MOI 31501095	4.0	95
MOI 11501100	MOI 31501100	4.0	100

Locking Screw Ø5.0mm, for nail dia 13.0/14.0

REF (S. S)	REF (TIT)	DIA mm	LENGTH mm
MOI 11527030	MOI 31527030	5.0	30
MOI 11527035	MOI 31527035	5.0	35
MOI 11527040	MOI 31527040	5.0	40
MOI 11527045	MOI 31527045	5.0	45
MOI 11527050	MOI 31527050	5.0	50
MOI 11527055	MOI 31527055	5.0	55
MOI 11527060	MOI 31527060	5.0	60
MOI 11527065	MOI 31527065	5.0	65
MOI 11527070	MOI 31527070	5.0	70
MOI 11527075	MOI 31527075	5.0	75
MOI 11527080	MOI 31527080	5.0	80
MOI 11527085	MOI 31527085	5.0	85
MOI 11527090	MOI 31527090	5.0	90
MOI 11527095	MOI 31527095	5.0	95
MOI 11527100	MOI 31527100	5.0	100



ALPS 3 in 1 Universal Femur Nail Instrument



REF	DESCRIPTION	UNITS
1	MOI 0100001 Drill Bit 5.1mm, for Position Rod	1
2	MOI 0100002 T-Handled Reamer 5.1mm, for Position Rod	1
3	MOI 0100003 Drill Bit 4.0mm with Drill Stop, for Locking Screw	2
4	MOI 0100004 Poly-axial Wrench	1
5	MOI 0100005 T-Handled Screwdriver SW3.5	1
6	MOI 0100006 Proximal Rigid Reamer	1
7	MOI 0100007 Stepped Drill Bit 6.4mm, for Hip Screw	1
8	MOI 0100008 T-Handled Hip Screw Coupling Inserter SW4.0/2.5	1
9	MOI 0100009 Depth Gauge with Guide Wire	1
10	MOI 0100010 Screwdriver SW3.5, for Locking Screw	1
11	MOI 0100011 Depth Gauge for Locking Screw	1
12	MOI 0100012 T-Handled Screwdriver SW6.5	1
13	MOI 0100013 Guide Wire for Hip Screw Insertion	1
14	MOI 0100014 Screwdriver SW4.0 for End Cap	1
15	MOI 0100015 Threaded Kirschner Wire, 2.5 × 320mm	1
16	MOI 0100016 Skin Protection Plate	1
17	MOI 0100017 Protection and Drill Sleeve, for Locking Screw	1
18	MOI 0100018 Protection and Drill Sleeve, for Hip Screw	1
19	MOI 0100019 Protection and Drill Sleeve, for Position Rod	1
20	MOI 0100020 Protection and Drill Sleeve, for Guide Wire	1
21	MOI 0100021 Soft Tissue Protector, Long	1
22	MOI 0100022 Soft Tissue Protector, Short	1
23	MOI 0100023 Allen Wrench SW5.0, Large, for Wheel Lock	1
24	MOI 0100024 Guide Wire Holding Clamp	1
25	MOI 0100025 Allen Wrench SW3.0, Small, for Drill Stop	1
26	MOI 0100026 Stabilizing Rod	1
27	MOI 0100027 Insertion / Extraction Screw	1
28	MOI 0100028 Pointed Awl	1
29	MOI 0100029 Quick Coupling T-Handle	1
30	MOI 0100030 Replaceable Reamer Heads	10
31	MOI 0100031 Proximal Aiming Arm	1
32	MOI 0100032 Distal Aiming Arm, for Short Nails	1
33	MOI 0100033 Connecting Bar	1
34	MOI 0100034 Position Rod	1
35	MOI 0100035 Distal Wheel Lock	2
36	MOI 0100036 Handle Wheel Lock	1
37	MOI 0100037 Insertion Handle	1
38	MOI 0100038 Position Plate	1
39	MOI 0100039 Distal Outrigger, for Long Nails	1
40	MOI 0100040 Sliding Hammer, for Nail Insertion / Extraction	1
41	MOI 0100041 Connecting Screw	1
42	MOI 0100042 Reduction Rod with T-Handle	1
43	MOI 0100043 Flexible Reamer Shaft	2
44	MOI 0100044 Guide Wire, with Ball Tip	1

REF	DESCRIPTION	UNITS
45	MOI 0100100 Universal Femur Container	



USA OFFICE

4000 Island Blvd, Suite 2704
Aventura, Florida 33160

PUERTO RICO OFFICE

1660 Santa Ana Street
Esq. Fidalgo Diaz,
San Juan, Puerto Rico 00909

E-mail:

info@madisonorthoinc.com

Website:

www.madisonorthoinc.com

