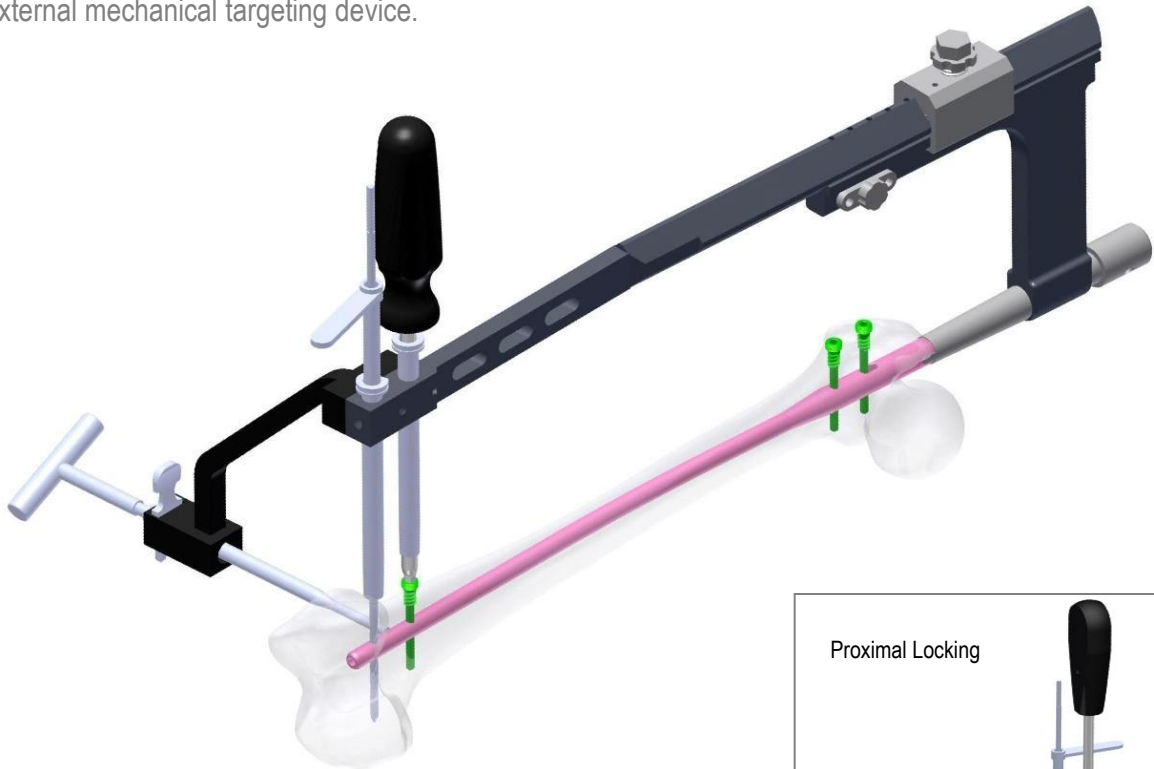


ANDES™ Femur Nailing System is best suited to fractures in the diaphyseal region, but where necessary, can be used for fractures situated in the region extending from just below the intact lesser trochanter to just above the supracondylar region. The procedure is applicable to any fracture within these boundaries, whatever the degree of comminution. ANDES™ is a set of intramedullary nails which offers several advantages over existing systems. A major advantage of the system is the ability to insert both proximal and distal locking screws accurately and quickly without the use of X-rays, using an external mechanical targeting device.



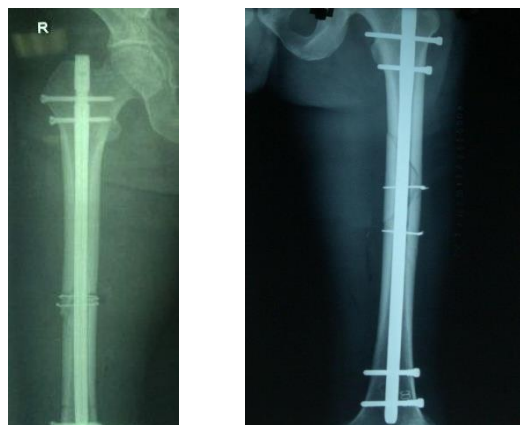
Features & Benefits

- Minimal invasive technique and biomechanical stability allow early functional exercise.
- Accurate and fast mechanical aiming device for proximal and distal locking.
- A locking screw of a smooth shank configuration is much stronger for a given diameter than a fully threaded screw.
- All of the implants are available in Titanium Alloy and Stainless Steel.
- The nails and locking screws are color coded for easy identification.



Indications for Use

ANDES™ Femur Nailing System is indicated for fractures in the diaphyseal region, it can also be used for fractures situated in the region extending from just below the intact lesser trochanter to just above the supracondylar region. The indications for intramedullary locked nailing include: traumatic fractures, pathological fractures, re-fractures, non-unions and reconstructive surgery.



ANDES™ Femur Nail

REF (S. S)	REF (TIT)	DIA mm	LENGTH mm	TYPE
MOI 11304300	MOI 31304300	9.0	300	Cannulated
MOI 11304320	MOI 31304320	9.0	320	Cannulated
MOI 11304340	MOI 31304340	9.0	340	Cannulated
MOI 11304360	MOI 31304360	9.0	360	Cannulated
MOI 11304380	MOI 31304380	9.0	380	Cannulated
MOI 11304400	MOI 31304400	9.0	400	Cannulated
MOI 11304420	MOI 31304420	9.0	420	Cannulated
MOI 11304440	MOI 31304440	9.0	440	Cannulated
MOI 11304460	MOI 31304460	9.0	460	Cannulated
MOI 11304480	MOI 31304480	9.0	480	Cannulated
MOI 11305300	MOI 31305300	10.0	300	Cannulated
MOI 11305320	MOI 31305320	10.0	320	Cannulated
MOI 11305340	MOI 31305340	10.0	340	Cannulated
MOI 11305360	MOI 31305360	10.0	360	Cannulated
MOI 11305380	MOI 31305380	10.0	380	Cannulated
MOI 11305400	MOI 31305400	10.0	400	Cannulated
MOI 11305420	MOI 31305420	10.0	420	Cannulated
MOI 11305440	MOI 31305440	10.0	440	Cannulated
MOI 11305460	MOI 31305460	10.0	460	Cannulated
MOI 11305480	MOI 31305480	10.0	480	Cannulated
MOI 11306300	MOI 31306300	11.0	300	Cannulated
MOI 11306320	MOI 31306320	11.0	320	Cannulated
MOI 11306340	MOI 31306340	11.0	340	Cannulated
MOI 11306360	MOI 31306360	11.0	360	Cannulated
MOI 11306380	MOI 31306380	11.0	380	Cannulated
MOI 11306400	MOI 31306400	11.0	400	Cannulated
MOI 11306420	MOI 31306420	11.0	420	Cannulated
MOI 11306440	MOI 31306440	11.0	440	Cannulated
MOI 11306460	MOI 31306460	11.0	460	Cannulated
MOI 11306480	MOI 31306480	11.0	480	Cannulated
MOI 11337300	MOI 31337300	12.0	300	Cannulated
MOI 11337320	MOI 31337320	12.0	320	Cannulated
MOI 11337340	MOI 31337340	12.0	340	Cannulated
MOI 11337360	MOI 31337360	12.0	360	Cannulated
MOI 11337380	MOI 31337380	12.0	380	Cannulated
MOI 11337400	MOI 31337400	12.0	400	Cannulated
MOI 11337420	MOI 31337420	12.0	420	Cannulated
MOI 11337440	MOI 31337440	12.0	440	Cannulated
MOI 11337460	MOI 31337460	12.0	460	Cannulated
MOI 11337480	MOI 31337480	12.0	480	Cannulated
MOI 11393300	MOI 31393300	13.0	300	Cannulated
MOI 11393320	MOI 31393320	13.0	320	Cannulated
MOI 11393340	MOI 31393340	13.0	340	Cannulated
MOI 11393360	MOI 31393360	13.0	360	Cannulated
MOI 11393380	MOI 31393380	13.0	380	Cannulated
MOI 11393400	MOI 31393400	13.0	400	Cannulated
MOI 11393420	MOI 31393420	13.0	420	Cannulated
MOI 11393440	MOI 31393440	13.0	440	Cannulated
MOI 11393460	MOI 31393460	13.0	460	Cannulated
MOI 11393480	MOI 31393480	13.0	480	Cannulated
MOI 11394300	MOI 31394300	14.0	300	Cannulated
MOI 11394320	MOI 31394320	14.0	320	Cannulated
MOI 11394340	MOI 31394340	14.0	340	Cannulated
MOI 11394360	MOI 31394360	14.0	360	Cannulated
MOI 11394380	MOI 31394380	14.0	380	Cannulated
MOI 11394400	MOI 31394400	14.0	400	Cannulated
MOI 11394420	MOI 31394420	14.0	420	Cannulated
MOI 11394440	MOI 31394440	14.0	440	Cannulated
MOI 11394460	MOI 31394460	14.0	460	Cannulated
MOI 11394480	MOI 31394480	14.0	480	Cannulated
MOI 11395300	MOI 31395300	15.0	300	Cannulated
MOI 11395320	MOI 31395320	15.0	320	Cannulated
MOI 11395340	MOI 31395340	15.0	340	Cannulated
MOI 11395360	MOI 31395360	15.0	360	Cannulated
MOI 11395380	MOI 31395380	15.0	380	Cannulated
MOI 11395400	MOI 31395400	15.0	400	Cannulated
MOI 11395420	MOI 31395420	15.0	420	Cannulated
MOI 11395440	MOI 31395440	15.0	440	Cannulated
MOI 11395460	MOI 31395460	15.0	460	Cannulated
MOI 11395480	MOI 31395480	15.0	480	Cannulated

Implant Information

Locking Screw Ø4.0mm



REF (S. S)	REF (TIT)	DIA mm	LENGTH mm
MOI 11501020	MOI 31501020	4.0	20
MOI 11501022	MOI 31501022	4.0	22
MOI 11501024	MOI 31501024	4.0	24
MOI 11501026	MOI 31501026	4.0	26
MOI 11501028	MOI 31501028	4.0	28
MOI 11501030	MOI 31501030	4.0	30
MOI 11501032	MOI 31501032	4.0	32
MOI 11501034	MOI 31501034	4.0	34
MOI 11501035	MOI 31501035	4.0	35
MOI 11501036	MOI 31501036	4.0	36
MOI 11501038	MOI 31501038	4.0	38
MOI 11501040	MOI 31501040	4.0	40
MOI 11501042	MOI 31501042	4.0	42
MOI 11501044	MOI 31501044	4.0	44
MOI 11501045	MOI 31501045	4.0	45
MOI 11501046	MOI 31501046	4.0	46
MOI 11501048	MOI 31501048	4.0	48
MOI 11501050	MOI 31501050	4.0	50
MOI 11501052	MOI 31501052	4.0	52
MOI 11501054	MOI 31501054	4.0	54
MOI 11501055	MOI 31501055	4.0	55
MOI 11501056	MOI 31501056	4.0	56
MOI 11501058	MOI 31501058	4.0	58
MOI 11501060	MOI 31501060	4.0	60
MOI 11501064	MOI 31501064	4.0	64
MOI 11501065	MOI 31501065	4.0	65
MOI 11501068	MOI 31501068	4.0	68
MOI 11501070	MOI 31501070	4.0	70
MOI 11501072	MOI 31501072	4.0	72
MOI 11501076	MOI 31501076	4.0	76
MOI 11501080	MOI 31501080	4.0	80
MOI 11501085	MOI 31501085	4.0	85
MOI 11501090	MOI 31501090	4.0	90
MOI 11501100	MOI 31501100	4.0	100

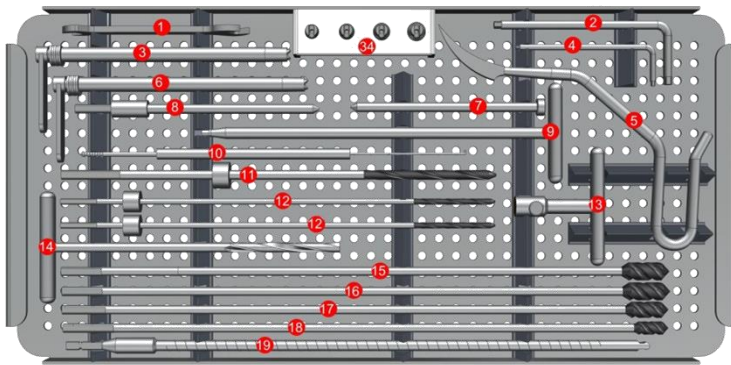
End Cap, for ANDES™ Femur Nail



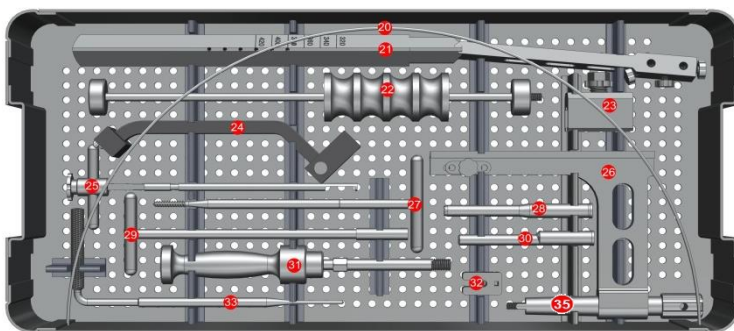
REF (S. S)	REF (TIT)	SIZE mm
MOI 11702100	MOI 31702100	0
MOI 11702000	MOI 31702000	2
MOI 11702005	MOI 31702005	5
MOI 11702010	MOI 31702010	10
MOI 11702015	MOI 31702015	15

INSTRUMENTS INFORMATION

ANDES Femur Nail Instruments



REF	DESCRIPTION	UNITS
1	MOI 0201001 Hex Wrench, Open	1
2	MOI 0100023 Allen Wrench SW5, Large	1
3	MOI 0201002 Protection Sleeve 8.0/4.1mm, for Locking Screw	1
4	MOI 0100025 Allen Wrench SW3, Small	1
5	MOI 0201003 Point Awl	1
6	MOI 0201004 Protection and Drill Sleeve, for Position Rod	1
7	MOI 0201005 Soft Tissue Protector, 8.0mm	1
8	MOI 0201006 Soft Tissue Protector, 6.5mm	1
9	MOI 0201007 T-Handled Screwdriver SW3.5	1
10	MOI 0201008 Depth Gauge for Locking Screw	1
11	MOI 0201009 Drill Bit 6.5mm, with Drill Stop	1
12	MOI 0100003 Drill Bit 4.0mm, with Drill Stop	2
13	MOI 0201010 Quick Coupling T-Handle	1
14	MOI 0201011 T-Handled Reamer 6.5mm, for Position Rod	1
15	MOI 0201012 Rigid Reamer, 13.0mm	1
16	MOI 0201013 Rigid Reamer, 12.0mm	1
17	MOI 0201014 Rigid Reamer, 11.0mm	1
18	MOI 0201015 Rigid Reamer, 10.0mm	1
19	MOI 0100043 Flexible Reamer Shaft	1
34	MOI 1400000 Replaceable Reamer Heads	4



REF	DESCRIPTION	UNITS
20	MOI 0201018 Guide Wire 2.0X700mm	1
21	MOI 0201017 Guide Bar	1
22	MOI 0100040 Sliding Hammer, for Nail Insertion / Extraction	1
23	MOI 0201019 Locking Block	1
24	MOI 0201020 Distal Aiming Arm	1
25	MOI 0201021 T-Stabilizing Rod	1
26	MOI 0201022 Insertion Handle	1
27	MOI 0201023 T-Handled Tap 6.0mm	1
28	MOI 0201024 Neutral Guide	1
29	MOI 0201025 Locking Screw Extractor	1
30	MOI 0201026 Eccentric Guide	1
31	MOI 0201027 Handle, for Nail Extraction	1
32	MOI 0201028 U-Shape Block 9/10/11/12, for Stabilizing Rod	4
33	MOI 0201029 L-Position Rod	1
35	MOI 0201033 Conical Bolt	1

REF	DESCRIPTION	UNITS
36	MOI 0201100 Femur Nail I Container	



USA OFFICE

4000 Island Blvd, Suite 2704
Aventura, Florida 33160

PUERTO RICO OFFICE

1660 Santa Ana Street
Esq. Fidalgo Diaz,
San Juan, Puerto Rico 00909

E-mail:

info@madisonorthoinc.com

Website:

www.madisonorthoinc.com

