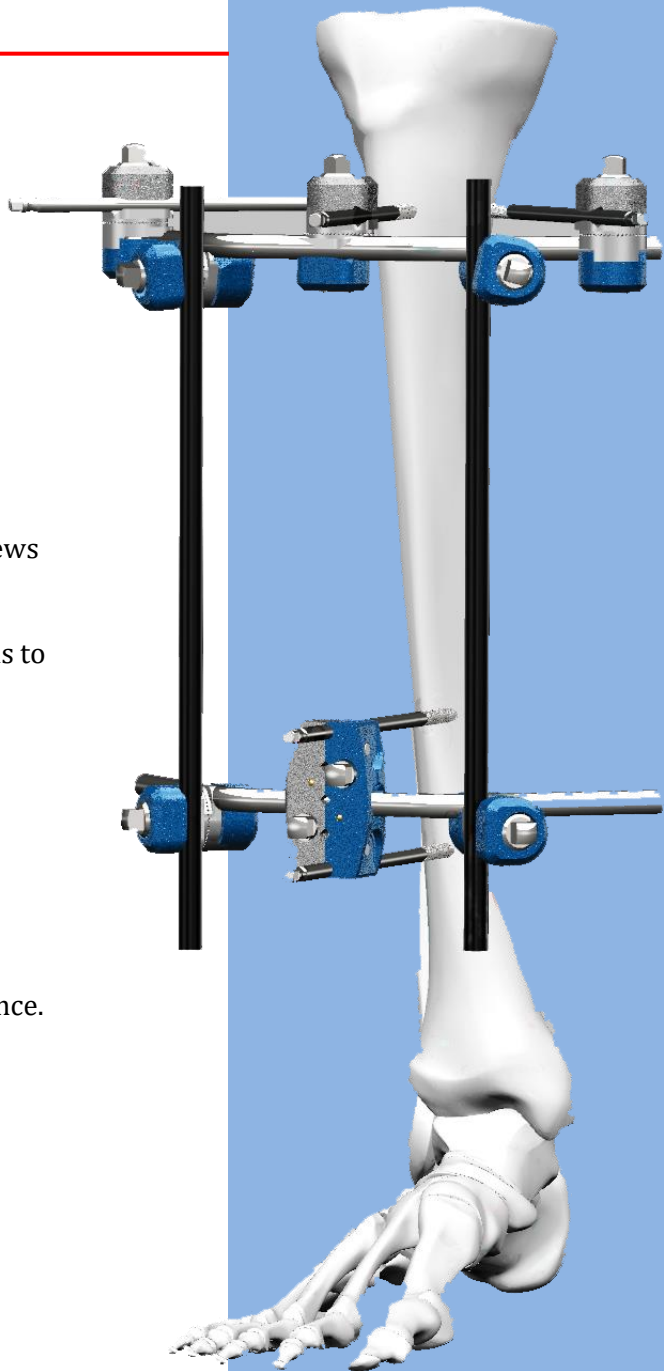


MODULAR EXTERNAL FIXATOR SYSTEM

For Lower Limbs









Product Features

- With the characteristic of advanced technology and convenient usage.
- Independent arrangement of bone screws in proximal and distal fractures.
- Apply snap-fit to the design which leads to easier operation and less time.
- Enhance the sharpness of the fracture vision by using Medical carbon fiber.
- Offer the best stability and elasticity.
- Design aiming at the complexity of the fracture and loss of soft tissue and considering both variety and convenience.



MODEL- EXFIX XIII

Modular External Fixator System (For Lower Limbs)-Type I

REF	SIZE	Image
MOI 55027085	Pin to Rod Coupling $\Phi 8 \times 5$	
MOI 55028088	Rod to Rod Coupling $\Phi 8 \times 8$	
MOI 55029085	5-hole Coupling $\Phi 8 \times 5$	
MOI 55317160	Semi-circular Curved Connecting Rod $\Phi 8 \times 160$ mm	
MOI 55317180	Semi-circular Curved Connecting Rod $\Phi 8 \times 180$ mm	
MOI 55317200	Semi-circular Curved Connecting Rod $\Phi 8 \times 200$ mm	
MOI 15313008	30° Post $\Phi 8$	
MOI 15314008	Straight Post $\Phi 8$	
MOI 15315005	Ankle Joint Hinge $\Phi 5$	
MOI 15316008	Knee Joint Hinge $\Phi 8$	

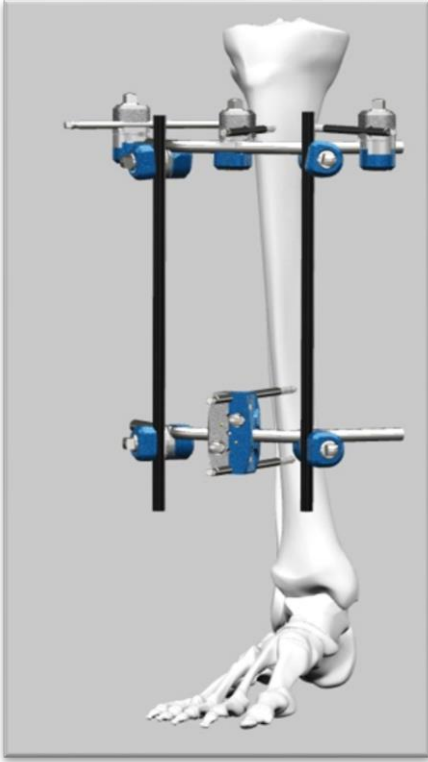
MODEL- EXFIX XIII

Modular External Fixator System (For Lower Limbs)-Type II



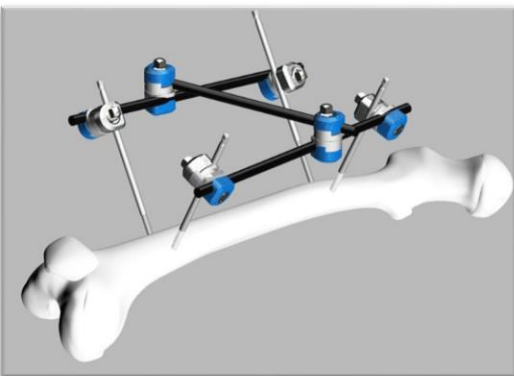
REF	SIZE
MOI 15551001	Rod to rod coupling
MOI 15551002	Pin to rod coupling
MOI 15551003	Inverted pin to rod coupling
MOI 15551004	Double pin to rod coupling
MOI 15551005	Inverted double pin to rod coupling
MOI 15551006	5 hole pin clamp
MOI 15551007	2 hole pin clamp
MOI 15551008	30° angled post
MOI 15551009	Straight post
MOI 15551010	Connecting rod $\phi 8 \times 150$
MOI 15551011	Connecting rod $\phi 8 \times 200$
MOI 15551012	Connecting rod $\phi 8 \times 250$
MOI 15551013	Connecting rod $\phi 8 \times 300$
MOI 15551014	Connecting rod $\phi 8 \times 350$
MOI 15551015	Connecting rod $\phi 8 \times 400$
MOI 15551016	Semi-circular rod - Small
MOI 15551017	Semi-circular rod - Medium
MOI 15551018	Semi-circular rod - Large
MOI 15551019	Dynamization tube - Single
MOI 15551020	Adjustable tube - Small
MOI 15551021	Adjustable tube - Large
MOI 15551022	Compression/distraction tube -Medium
MOI 15551023	Compression rod to pin coupling - Medium
MOI 15551024	Connecting rod for knee (left)
MOI 15551025	Connecting rod for knee (right)
MOI 15551026	Connecting rod for ankle
MOI 15551027	Connecting rod $\phi 11 \times 150$
MOI 15551028	Connecting rod $\phi 11 \times 200$
MOI 15551029	Connecting rod $\phi 11 \times 250$
MOI 15551030	Connecting rod $\phi 11 \times 300$
MOI 15551031	Connecting rod $\phi 11 \times 350$
MOI 15551032	Connecting rod $\phi 11 \times 400$

Recommended Frame Configurations



DESCRIPTION	REF	QTY
Pin to Rod Coupling	MOI 55027085	3
Rod to Rod Coupling	MOI 55028088	4
Semi-circular Curved Connecting Rod	MOI 55317180	1
Self Drilling/Self Tapping Bone Screws	MOI 15428150	5
5-hole Coupling	MOI 55029085	1
30° Post	MOI 15313008	2
Connecting Rod	MOI 65339250	2

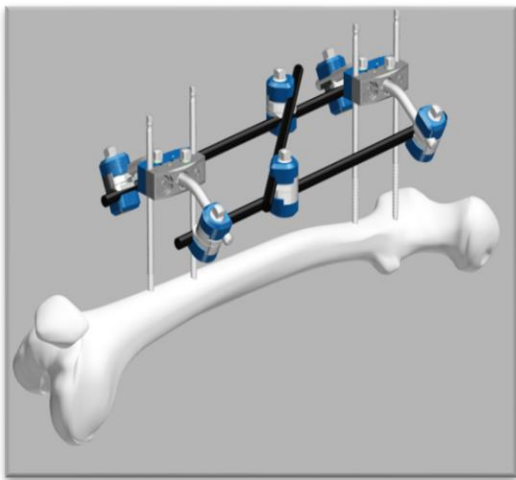
Used for : Proximal Tibia



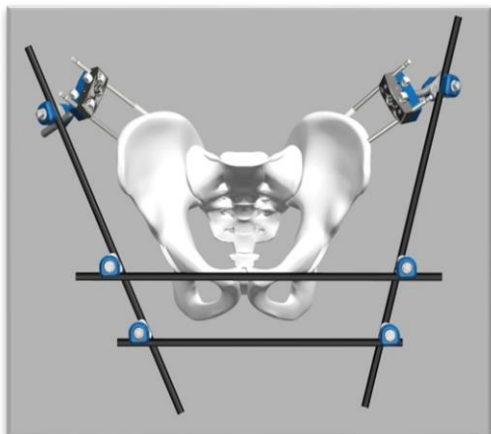
DESCRIPTION	REF	QTY
Pin to Rod Coupling	MOI 55027085	4
Rod to Rod Coupling	MOI 55028088	2
Connecting Rod	MOI 65339200	1
Connecting Rod	MOI 65339250	2
Self Drilling/Self Tapping Bone Screws	MOI 15428150	4

Used for : Femoral Shaft

Recommended Frame Configurations

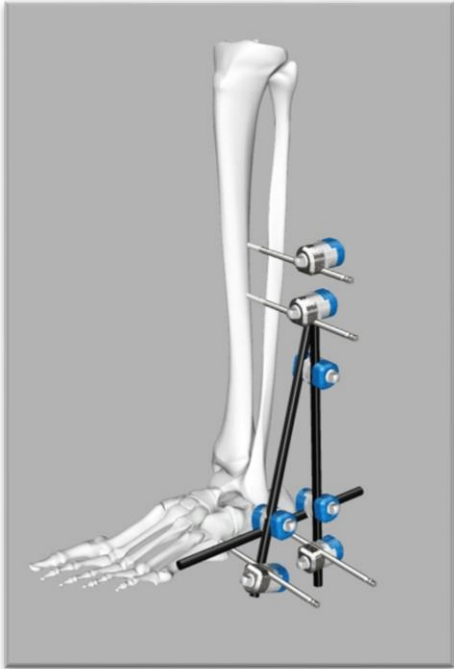


DESCRIPTION	REF	QTY
5-hole Coupling	MOI 55029085	2
Rod to Rod Coupling	MOI 55028088	6
Connecting Rod	MOI 65339300	2
Connecting Rod	MOI 65339250	1
Self Drilling/Self Tapping Bone Screws	MOI 15428150	4
30°Post	MOI 15313008	4
Used for: Tibia , Perone		



DESCRIPTION	REF	QTY
Rod to Rod Coupling	MOI 55028088	6
30°Post	MOI 15313008	2
5-hole Coupling	MOI 55029085	2
Self Drilling/Self Tapping Bone Screws	MOI 15427150	4
Connecting Rod	MOI 65339200	2
Connecting Rod	MOI 65339300	2
Used for: Pelvis		

Recommended Frame Configurations



DESCRIPTION	REF	QTY
Rod to Rod Coupling	MOI 55028088	3
Connecting Rod	MOI 65339250	2
Connecting Rod	MOI 65339200	1
Pin to Rod Coupling	MOI 55027085	4
Self Drilling/Self Tapping Bone Screws	MOI 15428150	4
Used for: Ankle Joint		



DESCRIPTION	REF	QTY
30°post	MOI 15313008	1
5-hole Coupling	MOI 55029085	1
Rod to Rod Coupling	MOI 55028088	2
Connecting Rod	MOI 65339150	1
Knee Joint Hinge	MOI 15316008	1
Pin to Rod Coupling	MOI 55027085	4
Self Drilling/Self Tapping Bone Screws	MOI 15428150	6
Used for : Knee Joint		