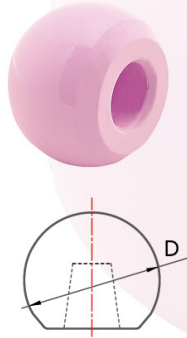


Femoral Head

AK-FH-C Femoral Head

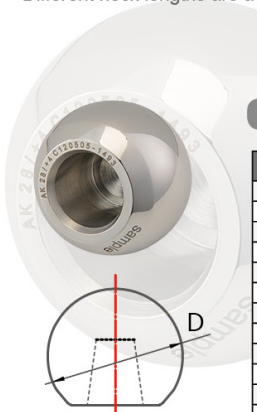


AK-FH-C Femoral Head

Size Ref.	Cat. No.	Description	Dia.	Trade Mark
28-S	2202-0028	Name: AK-FH-C Femoral Head Material: Ceramic Delta Customized Supplied Matched Stem: AK-ML-TP, AK-ML-TH, AK-MP-TP, AK-MF, AK-MR, AK-SR, AK-SL, AK-CL, AK-SL-CONE	28	BIOLOX from CeramTec
28-M	2202-0128		28	
28-L	2202-0228		28	
32-S	2202-0032		32	
32-M	2202-0132		32	
32-L	2202-0232		32	
32-XL	2202-0332		32	
36-S	2202-0036		36	
36-M	2202-0136		36	
36-L	2202-0236		36	
36-XL	2202-0336		36	

AK-FH-M Femoral Head

- Co-Cr-Mo Alloy material;
- 22mm, 28mm, 32mm, 36mm diameter options;
- Different neck lengths are available.

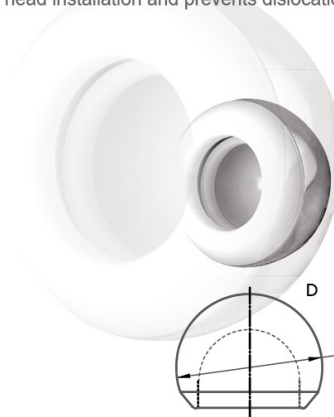


AK-FH-M Femoral Head

Size Ref.	Cat. No.	Description	Dia.	Matched Head Trial
22/0	1200-0122	Name: AK-FH-M Femoral Head Material: Co-Cr-Mo Alloy Regularly Supplied Matched Stem: AK-ML-TP, AK-ML-TH, AK-MP-TP, AK-MF, AK-MR, AK-SL, AK-SR, AK-CL, AK-SL-CONE, ACP, ACP Long	22	22/0
22/+4	1200-0222		22	22/+4
28/-4	1200-0028		28	28/-4
28/0	1200-0128		28	28/0
28/+4	1200-0228		28	28/+4
28/+8	1200-0328		28	28/+8
32/-4	1200-0032		32	32/-4
32/0	1200-0132		32	32/0
32/+4	1200-0232		32	32/+4
36/-4	1200-0036		36	36/-4
36/0	1200-0136		36	36/0
36/+4	1200-0236		36	36/+4

AK-Bipolar

- Co-Cr-Mo Alloy Cup and UHMWPE Liner;
- Patent locking mechanism ensures easy femoral head installation and prevents dislocation.



AK-Bipolar

Size Ref.	Cat. No.	Description	Dia.	Matched Femoral Head
38/22	1220-3822	Name: AK-Bipolar Material: Co-Cr-Mo Alloy Cup+UHMWPE Liner Regularly Supplied Matched Head: For All 22 and 28	38	22
40/22	1220-4022		40	22
42/22	1220-4222		42	22
44/22	1220-4422		44	22
46/28	1220-4628		46	28
48/28	1220-4828		48	28
50/28	1220-5028		50	28
52/28	1220-5228		52	28
54/28	1220-5428		54	28
56/28	1220-5628		56	28
41/22	A2361-4122(1)		41	22
42/28	A2361-4228(1)		42	28
43/22	A2361-4322(1)		43	22
43/28	A2361-4328(1)		43	28
44/28	A2361-4428(1)		44	28
45/28	A2361-4528(1)		45	28
47/28	A2361-4728(1)	47	28	
49/28	A2361-4928(1)	49	28	
51/28	A2361-5128(1)	51	28	
53/28	A2361-5328(1)	53	28	

Accessories

Bone Cement Applicator

Bone cement applicator is the third generation cement technic which is designed to inject cement into intramedullary. This instrument may evenly inject cement into femur during hip joint replacement surgery.

