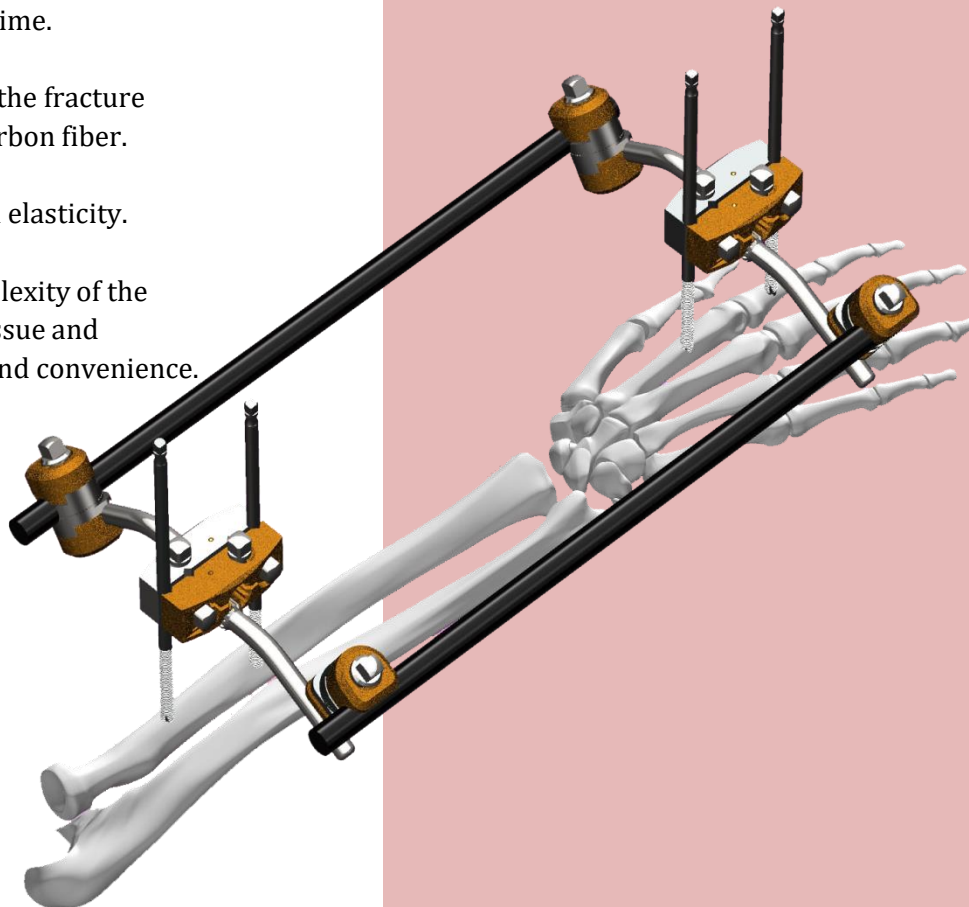


MODULAR EXTERNAL FIXATOR SYSTEM

For Upper Limbs









Product Features

- With the characteristic of advanced technology and convenient usage.
- Independent arrangement of bone screws in proximal and distal fractures.
- Apply snap-fit to the design which leads to easier operation and less time.
- Enhance the sharpness of the fracture vision by using medical carbon fiber.
- Offer the best stability and elasticity.
- Design aiming at the complexity of the fracture and loss of soft tissue and considering both variety and convenience.



MODEL- EXFIX XIV

Modular External Fixator System (For Upper Limbs)-Type I

REF	SIZE	IMAGE
MOI 55021534	Pin to Rod Coupling $\Phi 5 \times 3-4$	
MOI 55022055	Rod to Rod Coupling $\Phi 5 \times 5$	
MOI 55023534	Peri-articular Pin Clamp $\Phi 5 \times 3-4$	
MOI 55024534	4-hole Coupling $\Phi 5$ $\times 3-4$	
MOI 15309005	30° Post $\Phi 5$	
MOI 15310005	Straight Post $\Phi 5$	
MOI 15311005	Elbow Joint Hinge $\Phi 5$	
MOI 15312005	Wrist Join Hinge $\Phi 5$	

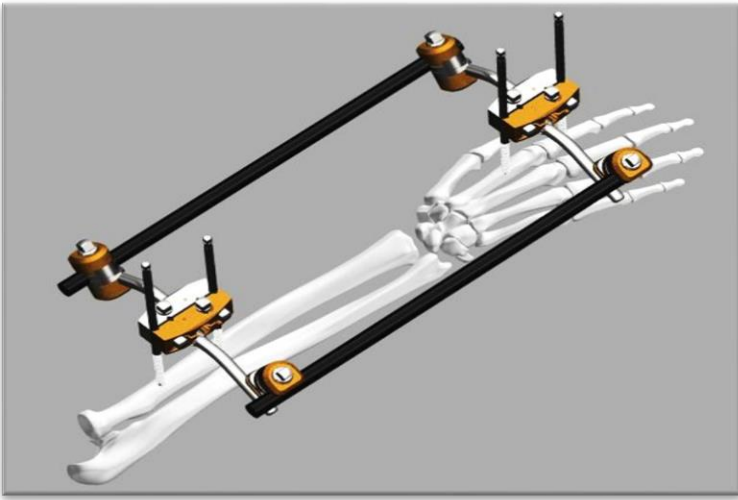
MODEL- EXFIX XIV

Modular External Fixator System (For Upper Limbs)-Type II



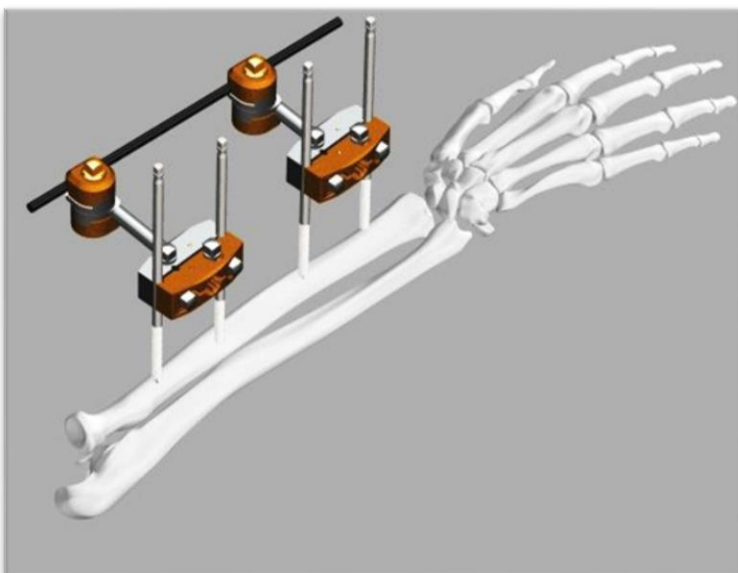
REF	SIZE
MOI 15552001	Rod to Rod coupling
MOI 15552002	Pin to Rod coupling
MOI 15552003	Inverted pin to rod coupling
MOI 15552004	Double pin to rod coupling
MOI 15552005	Inverted double pin to rod coupling
MOI 15552006	4 hole pin clamp
MOI 15552007	2 hole pin clamp
MOI 15552008	Joint clamp
MOI 15552009	30°angled post
MOI 15552010	Straight post
MOI 15552011	Connecting rod $\varphi 5 \times 50$
MOI 15552012	Connecting rod $\varphi 8 \times 100$
MOI 15552013	Connecting rod $\varphi 8 \times 150$
MOI 15552014	Connecting rod $\varphi 8 \times 200$
MOI 15552015	Connecting rod $\varphi 8 \times 250$
MOI 15552016	Semi-circular rod- Small
MOI 15552017	Semi-circular rod - Medium
MOI 15552018	Semi-circular rod - Large
MOI 15552019	Connecting rod for elbow- Short
MOI 15552020	Connecting rod for elbow - Long
MOI 15552021	Connecting rod for wrist

Recommended Frame Configurations



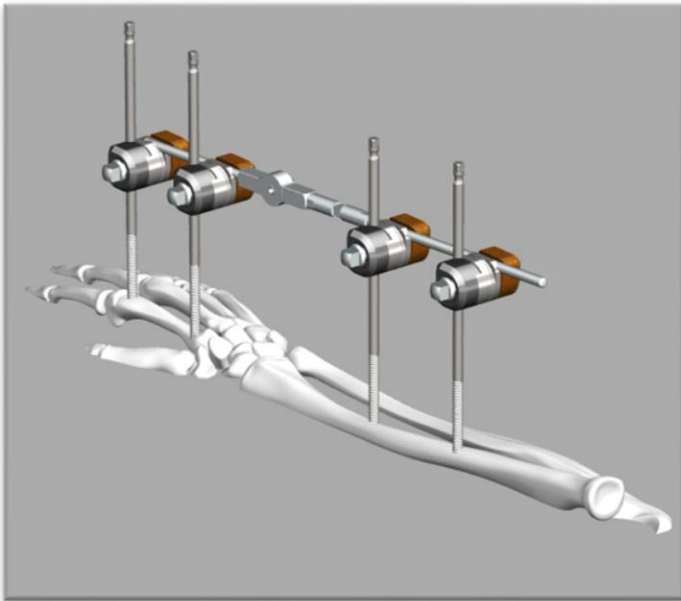
DESCRIPTION	REF	QTY
Self Drilling/Self Tapping Bone Screws	MOI 15426080	4
4-hole Coupling	MOI 55024534	1
30° Post	MOI 15309005	4
Connecting Rod	MOI 65338200	2
Rod to Rod Coupling	MOI 55022055	4
Used for : Tibia, Radius		

MADISON EXFIX SYSTEM

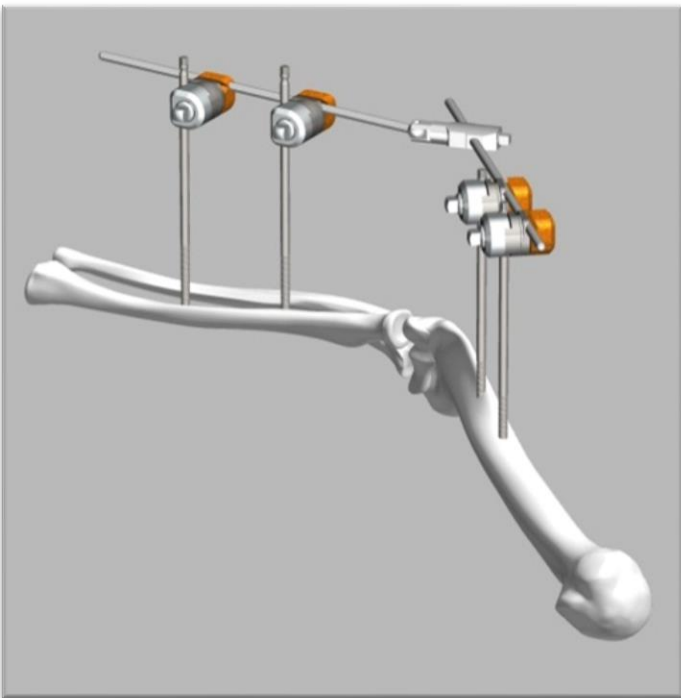


DESCRIPTION	REF	QTY
Self Drilling/Self Tapping Bone Screws	MOI 15426080	4
4-hole Coupling	MOI 55024534	2
Connecting Rod	MOI 65338200	1
Straight Post	MOI 15310005	2
Rod to Rod Coupling	MOI 55022055	4
Used for : Forearm		

Recommended Frame Configurations

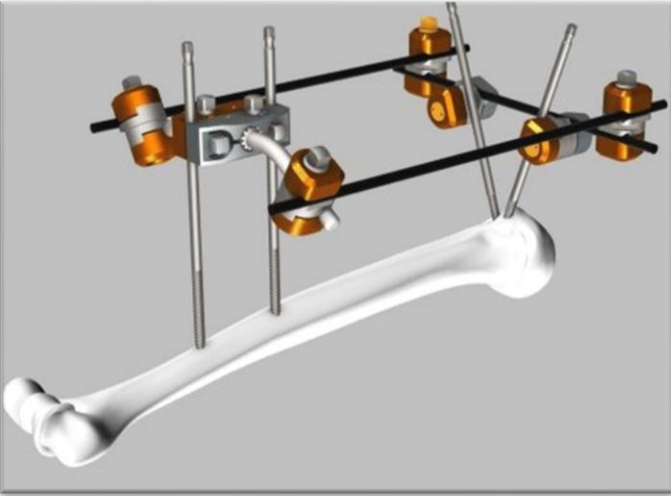


DESCRIPTION	REF	QTY
Self Drilling/Self Tapping Bone Screws	MOI 15426100	4
Wrist Joint Hinge	MOI 15312005	1
Pin to Rod Coupling	MOI 55021534	4
Used for : Wrist Joint		



DESCRIPTION	REF	QTY
Self Drilling/Self Tapping Bone Screws	MOI 15427120	4
Elbow Joint Hinge	MOI 15311005	1
Pin to Rod Coupling	MOI 55021534	4
Used for : Elbow Joint Fracture		

Recommended Frame Configurations



DESCRIPTION	REF	QTY
Self Drilling/Self Tapping Bone Screws	MOI 15427120	4
4-hole Coupling	MOI 55024534	1
30° Post	MOI 15309005	2
Connecting Rod	MOI 65338250	2
Connecting Rod	MOI 65338200	1
Rod to Rod Coupling	MOI 55022055	4
Pin to Rod Coupling	MOI 55021534	2
Used for : Proximal Humerus, Condyle Neck		