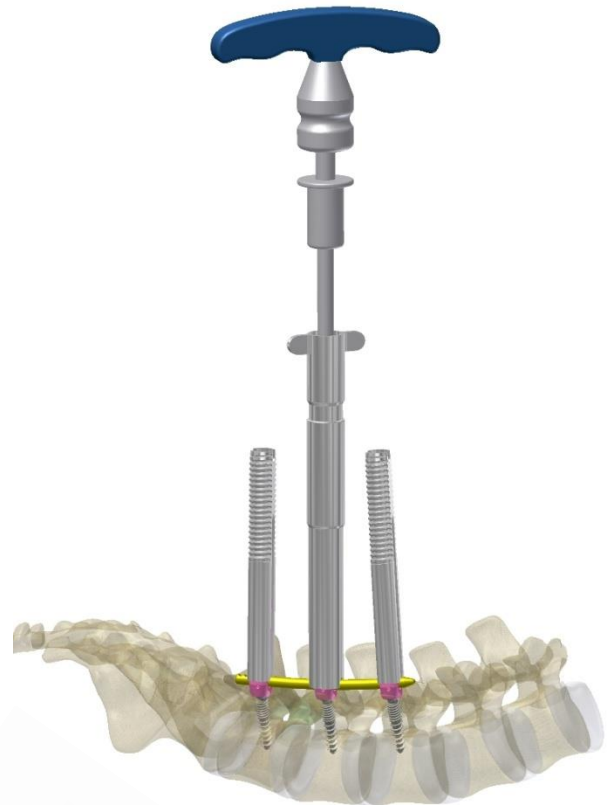


The NEPTUNE™ 5.5 MIS Spinal System is Posterior Multi-Level Percutaneous Fixation System. It is designed to allow surgeons to place percutaneous screws and rods over multiple levels without the need for significant exposure.

The NEPTUNE™ 5.5 MIS Spinal System is indicated for temporary or permanent correction or stabilization of the vertebral column from the thoracic to the sacrum and with the aim of helping consolidation or bone fusion. When used for a minimally invasive posterior approach, NEPTUNE™ 5.5 MIS instrumentation is used in conjunction with MIS Extended Tab Screw Components. It is conducive to the minimally invasive placement of pedicle screws and rods utilizing Screw Extender's and surgeon controlled rod deliveries. The implants are manufactured from surgical grade titanium alloy (Ti-6Al-4V).



## Implant Features

Open Retractor Blades allow for direct visualization during rod insertion

Buttress Thread Closure Mechanism

Follows path of K-Wire

Aggressive Self-Tapping Screw

Cortical thread for stronger pedicle purchase

Cancellous thread for strong vertebral body purchase



Precise rod contouring allows multiple levels

## Indications for Use

The NETUNE™ 5.5 MIS Spinal System is an instrument set designed for insertion of NEPTUNE™ 5.5 MIS extended tab pedicle screws and rods through a percutaneous or mini-open muscle sparing approach.

- Degenerative disc disease
- Spondylolisthesis
- Trauma (i.e. fracture or dislocation)
- Tumor
- Stenosis
- Pseudoarthrosis
- Failed previous fusion
- Deformities (i.e. scoliosis, kyphosis and / or lordosis)

## Implant Information [Material in Titanium Alloy (Ti-6Al-4V)]



### MIS Extended Tab Screws, cannulated

DIA (mm)	LENGTH (mm)	REF (TIT)
5.0	25	MOI 37166025
5.0	30	MOI 37166030
5.0	35	MOI 37166035
5.0	40	MOI 37166040
5.0	45	MOI 37166045
5.0	50	MOI 37166050
5.0	55	MOI 37166055
5.0	60	MOI 37166060
5.0	65	MOI 37166065
5.0	70	MOI 37166070
5.0	75	MOI 37166075
5.5	25	MOI 37167025
5.5	30	MOI 37167030
5.5	35	MOI 37167035
5.5	40	MOI 37167040
5.5	45	MOI 37167045
5.5	50	MOI 37167050
5.5	55	MOI 37167055
5.5	60	MOI 37167060
5.5	65	MOI 37167065
5.5	70	MOI 37167070
5.5	75	MOI 37167075
6.0	25	MOI 37168025
6.0	30	MOI 37168030
6.0	35	MOI 37168035
6.0	40	MOI 37168040
6.0	45	MOI 37168045
6.0	50	MOI 37168050
6.0	55	MOI 37168055
6.0	60	MOI 37168060
6.0	65	MOI 37168065
6.0	70	MOI 37168070
6.0	75	MOI 37168075
6.5	25	MOI 37169025
6.5	30	MOI 37169030
6.5	35	MOI 37169035
6.5	40	MOI 37169040
6.5	45	MOI 37169045
6.5	50	MOI 37169050
6.5	55	MOI 37169055
6.5	60	MOI 37169060
6.5	65	MOI 37169065
6.5	70	MOI 37169070
6.5	75	MOI 37169075
7.0	25	MOI 37170025
7.0	30	MOI 37170030
7.0	35	MOI 37170035
7.0	40	MOI 37170040
7.0	45	MOI 37170045
7.0	50	MOI 37170050
7.0	55	MOI 37170055
7.0	60	MOI 37170060
7.0	65	MOI 37170065
7.0	70	MOI 37170070
7.0	75	MOI 37170075



## Set Screw

SIZE	REF (TIT)
5.5	MOI 37172049
6.0	MOI 30172050



## MIS Curved Rod

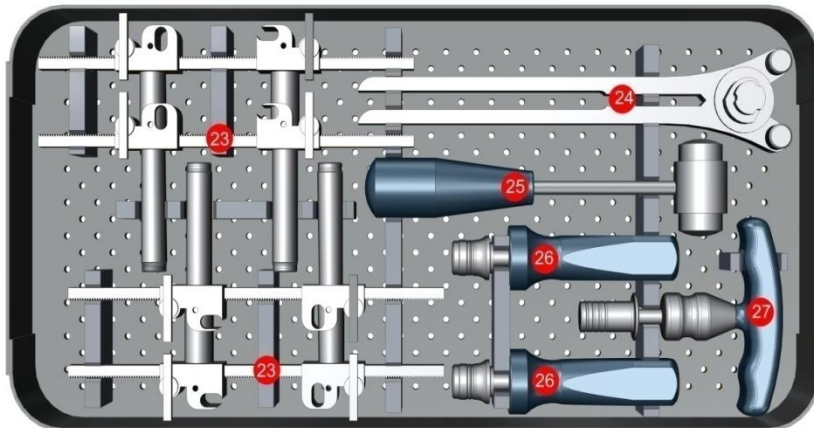
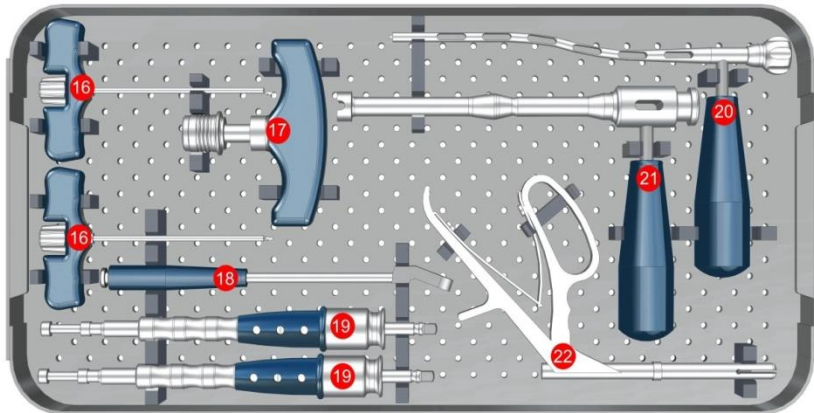
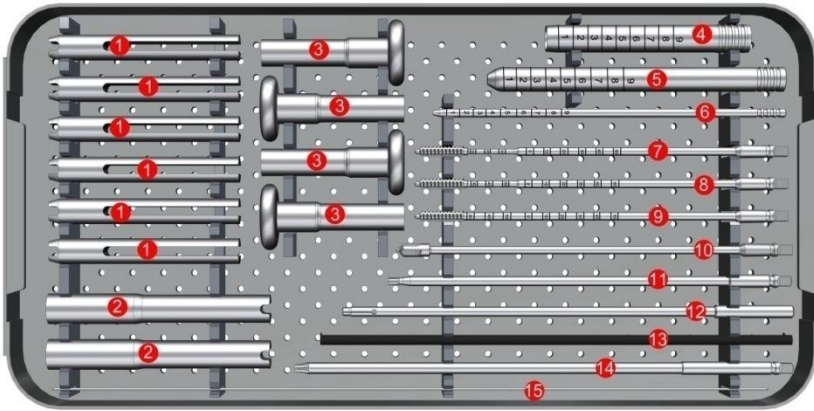
DIA (mm)	LENGTH (mm)	REF (TIT)
5.5	35	MOI 37174035
5.5	40	MOI 37174040
5.5	45	MOI 37174045
5.5	50	MOI 37174050
5.5	55	MOI 37174055
5.5	60	MOI 37174060
5.5	65	MOI 37174065
5.5	70	MOI 37174070
5.5	75	MOI 37174075
5.5	80	MOI 37174080
5.5	85	MOI 37174085
5.5	90	MOI 37174090
5.5	95	MOI 37174095
5.5	100	MOI 37174100
6.0	35	MOI 37174035B
6.0	40	MOI 37174040B
6.0	45	MOI 37174045B
6.0	50	MOI 37174050B
6.0	55	MOI 37174055B
6.0	60	MOI 37174060B
6.0	65	MOI 37174065B
6.0	70	MOI 37174070B
6.0	75	MOI 37174075B
6.0	80	MOI 37174080B
6.0	85	MOI 37174085B
6.0	90	MOI 37174090B
6.0	95	MOI 37174095B
6.0	100	MOI 37174100B

## MIS Straight Rod

DIA (mm)	LENGTH (mm)	REF (TIT)
5.5	35	MOI 37173035
5.5	40	MOI 37173040
5.5	45	MOI 37173045
5.5	50	MOI 37173050
5.5	55	MOI 37173055
5.5	60	MOI 37173060
5.5	65	MOI 37173065
5.5	70	MOI 37173070
5.5	75	MOI 37173075
5.5	80	MOI 37173080
5.5	85	MOI 37173085
5.5	90	MOI 37173090
5.5	100	MOI 37173100
5.5	120	MOI 37173120
5.5	150	MOI 37173150
6.0	35	MOI 37173035B
6.0	40	MOI 37173040B
6.0	45	MOI 37173045B
6.0	50	MOI 37173050B
6.0	55	MOI 37173055B
6.0	60	MOI 37173060B
6.0	65	MOI 37173065B
6.0	70	MOI 37173070B
6.0	75	MOI 37173075B
6.0	80	MOI 37173080B
6.0	85	MOI 37173085B
6.0	90	MOI 37173090B
6.0	100	MOI 37173100B
6.0	120	MOI 37173120B
6.0	150	MOI 37173150B

**INSTRUMENTS INFORMATION**

**NEPTUNE™ 5.5 MIS Spinal System Instrument Set**



REF	DESCRIPTION	UNITS
1	MOI 1202001 MIS Screw Extender	6
2	MOI 1202002 Long Travel Reducer / Rod Pusher	2
3	MOI 1202003 Reduction Driver	4
4	MOI 1202004 Hollow Cannula	1
5	MOI 1202005 Hollow Dilator	1
6	MOI 1202006 Blunt Dilator	1
7	MOI 1202007 Cannulated Tap 5.0mm	1
8	MOI 1202008 Cannulated Tap 6.0mm	1
9	MOI 1202009 Cannulated Tap 7.0mm	1
10	MOI 1202010 Countersink	1
11	MOI 1202011 Poly Adjustment Driver Shaft	1
12	MOI 1202012 Set Screw Retaining Shaft	1
13	MOI 1202013 Bending Template for Rods, 300mm	1
14	MOI 1202014 Nut Screwdriver	2
15	MOI 1202015 Kirschner Wire 1.5 X 450mm	4
16	MOI 1202016 Jamshidi Needle	2
17	MOI 1202017 T-handle with Quick Coupling	1
18	MOI 1202018 Break Off Iron	1
19	MOI 1202019 NEPTUNE™ MIS Tab Screwdriver	2
20	MOI 1202020 Rod Inserter	1
21	MOI 1202021 Counter Torque	1
22	MOI 1202022 Retraction Blade Removal Pliers	1
23	MOI 1202023 Compressor / Distractor	2
24	MOI 1202024 Rod Bender	1
25	MOI 1202025 Slap Hammer	1
26	MOI 1202026 Quick Coupling Handle, straight	2
27	MOI 1202027 Torque-limiting T-Handle	1

REF	DESCRIPTION	UNITS
MOI 1202000	NEPTUNE™ 5.5 MIS Complete Instrument Set	1